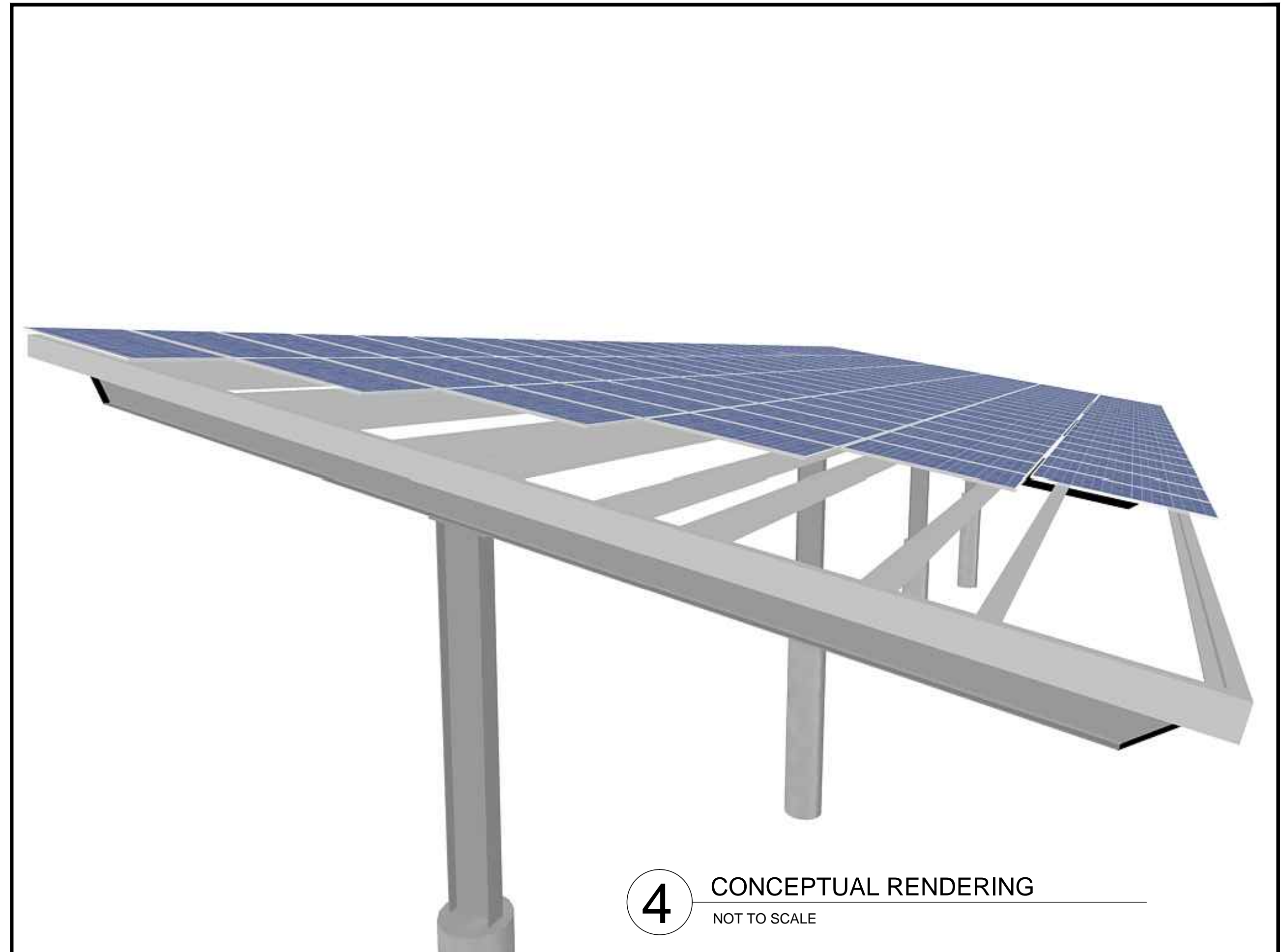


- NOTES:
1. MODULE PER CLIENT
  2. PURLIN PER PLAN
  3. BEAM PER PLAN
  4. COLUMN PER PLAN
  5. FINISH GRADE
  6. FOOTING PER PLAN
  7. REBAR PER PLAN

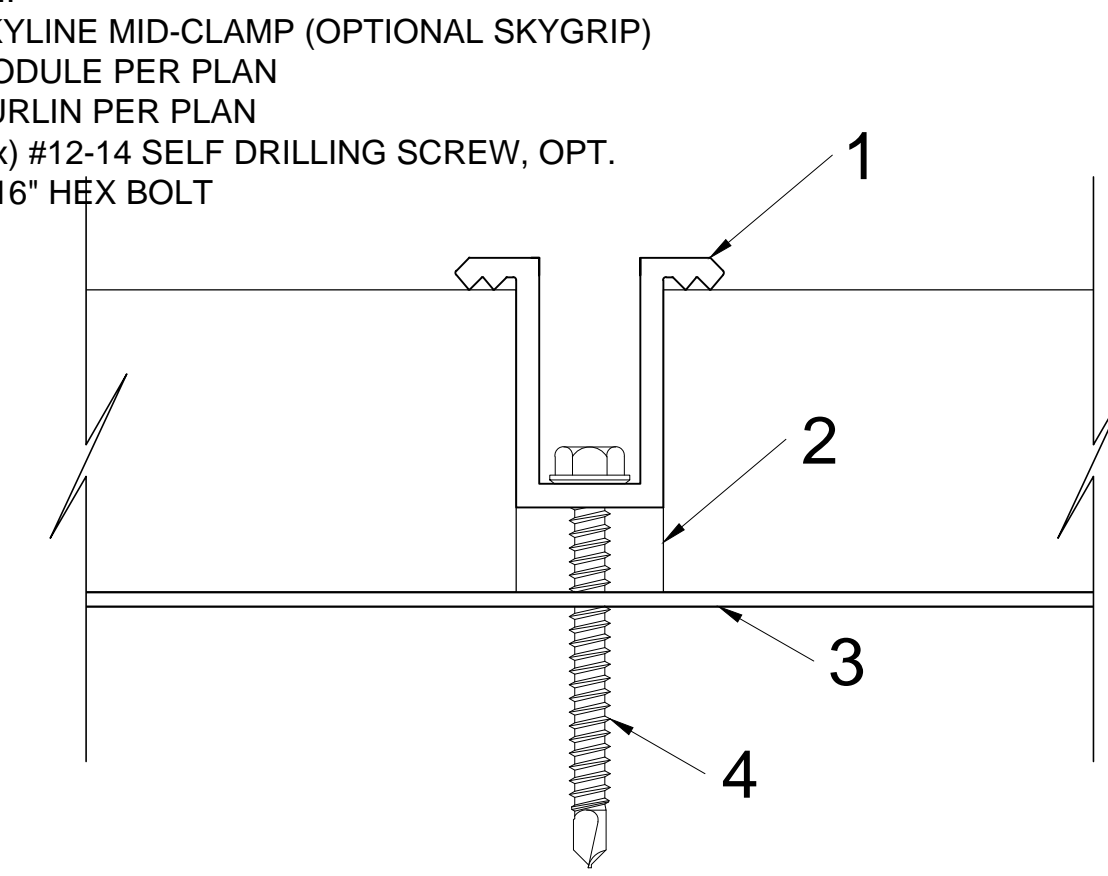
GENERAL DIMENSIONS							
60 CELL MODULE (APX DIM)				72 CELL MODULE (APX DIM)			
ROWS	DIM A	DIM B	DIM C	ROWS	DIM A	DIM B	DIM C
6	32'-9 <sup>3</sup> / <sub>4</sub> "	29'-9 <sup>1</sup> / <sub>2</sub> "	65"	5	32'-4"	29'-1 <sup>1</sup> / <sub>4</sub> "	77"
7	38'-3 <sup>1</sup> / <sub>2</sub> "	35'-2 <sup>1</sup> / <sub>2</sub> "	65"	6	38'-9 <sup>3</sup> / <sub>4</sub> "	35'-7 <sup>1</sup> / <sub>4</sub> "	77"
8	43'-9 <sup>1</sup> / <sub>4</sub> "	41'-3 <sup>1</sup> / <sub>4</sub> "	65"	7	45'-3 <sup>1</sup> / <sub>2</sub> "	42'-1"	77"
9	49'-3"	46'-6 <sup>1</sup> / <sub>2</sub> "	65"	8	51'-9 <sup>1</sup> / <sub>4</sub> "	48'-6"	77"

**1** DOUBLE CANTILEVER-STRAIGHT BEAM (ELEVATION)  
NOT TO SCALE

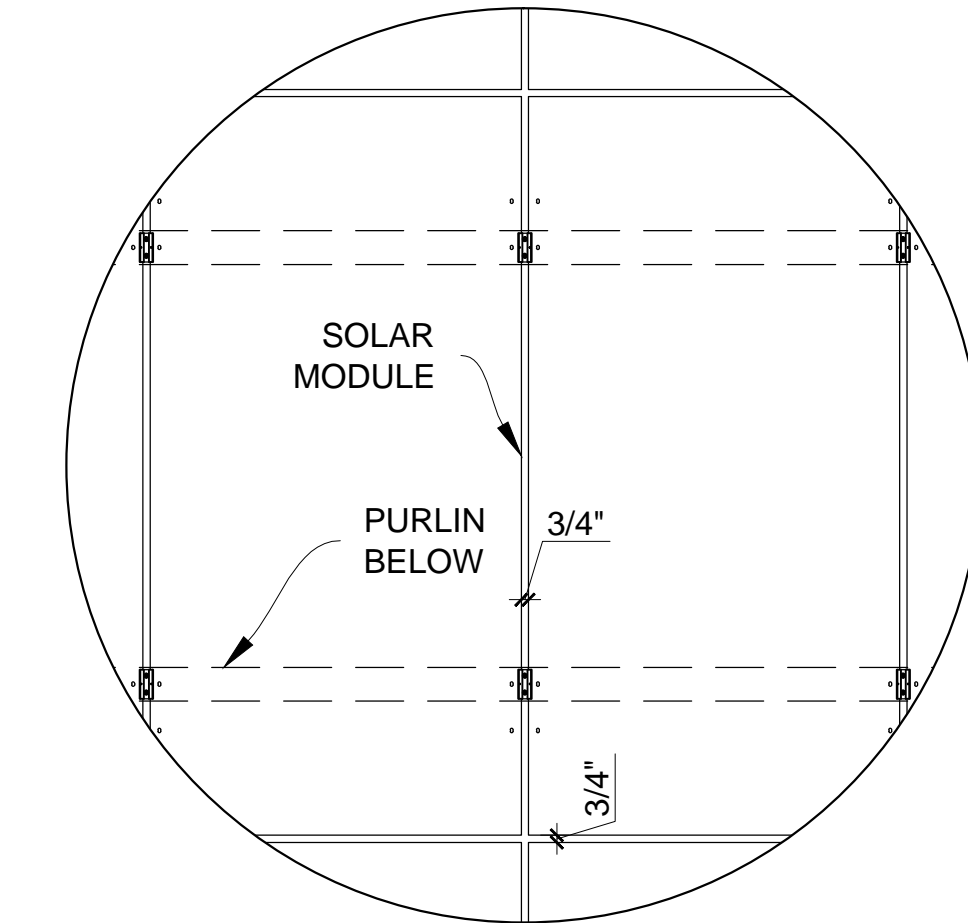


**4** CONCEPTUAL RENDERING  
NOT TO SCALE

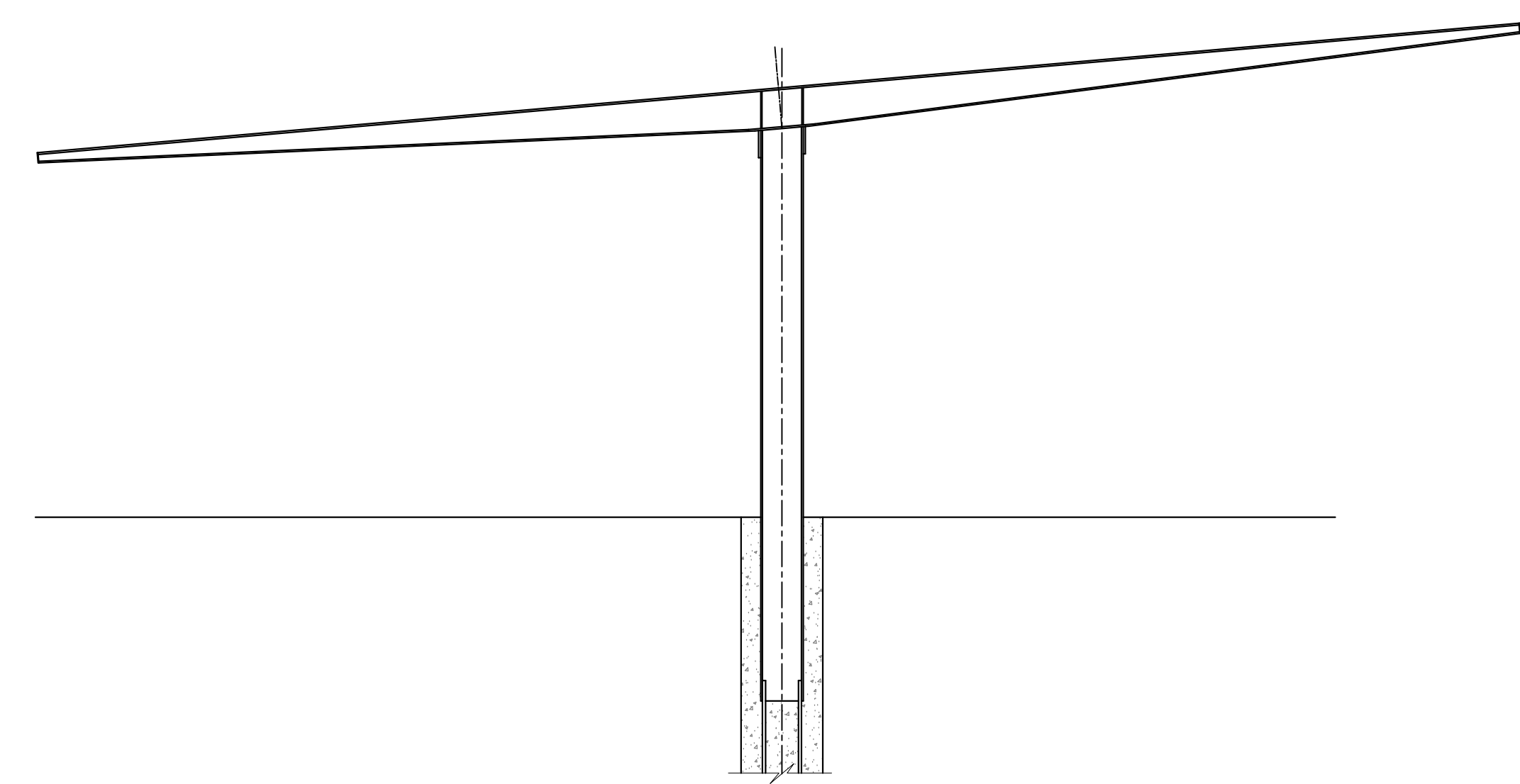
- NOTE:
1. SKYLINE MID-CLAMP (OPTIONAL SKYGRIP)
  2. MODULE PER PLAN
  3. PURLIN PER PLAN
  4. (2x) #12-14 SELF DRILLING SCREW, OPT. 5/16" HEX BOLT



**2** CLAMP TO MODULE  
NOT TO SCALE



**3** MODULE SPACING  
NOT TO SCALE



**A** DOUBLE CANTILEVER-TAPERED BEAM (ELEVATION)  
NOT TO SCALE

**GENERAL NOTES**  
NOTE THAT THESE ARE PURELY CONCEPTUAL DRAWINGS. ALL DIMENSIONS AND VALUES ARE TYPICAL ASSUMPTIONS AND ARE SUBJECT TO CHANGE PER CLIENT AND ENGINEERING.

**GENERAL CARPORT NOTES**  
DESIGNED WITH MODULES INSTALLED IN PORTRAIT. 3/4" SPACING BETWEEN MODULES BOTH VERTICALLY AND HORIZONTALLY. DESIGN UTILIZES DUAL PURLINS PER MODULE ROW. NUMBER OF MODULE ROWS ARE DEPENDENT ON MODULE SIZE, COST, DESIGN, AND ENGINEERING.  
NOTE: OPTIONAL SKYGRIP TOP MOUNTING MID CLAMP IS AN ETL LISTED UL 467 GROUNDING CLAMP.

DATE	REV	REVISION/DESCRIPTION
0000/2014	A	CONCEPTUAL

REQUEST FOR PROPOSALS  
Final layout may change based on actual field conditions and final engineering. DO NOT USE FOR CONSTRUCTION.

**DOUBLE CANTILEVER**  
DUAL PURLIN - MODULES PORTRAIT

CUSTOMER: NAME  
DRAFTING SERVICE: SKYLINE STEEL INC  
DATE: 04-08-2014  
DRAWN BY: PR  
CHECKED BY: RC

REV. NO: A  
JOB NO: XX-XXX  
DWG. NO: E-03