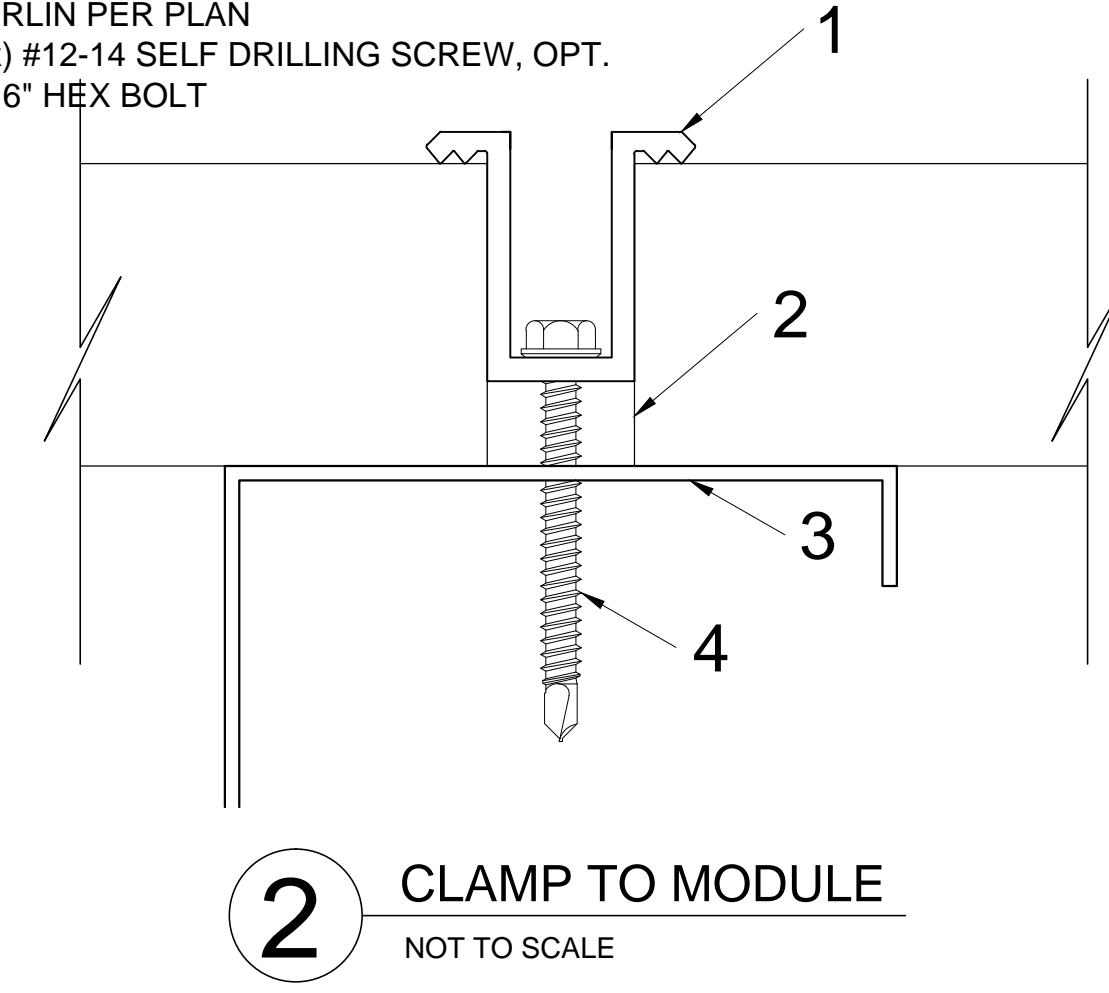


- NOTES:
1. MODULE PER CLIENT
 2. PURLIN PER PLAN
 3. BEAM PER PLAN
 4. COLUMN PER PLAN
 5. FINISH GRADE
 6. FOOTING PER PLAN
 7. REBAR PER PLAN
 8. POSITIVE OR NEGATIVE (NEGATIVE SHOWN)

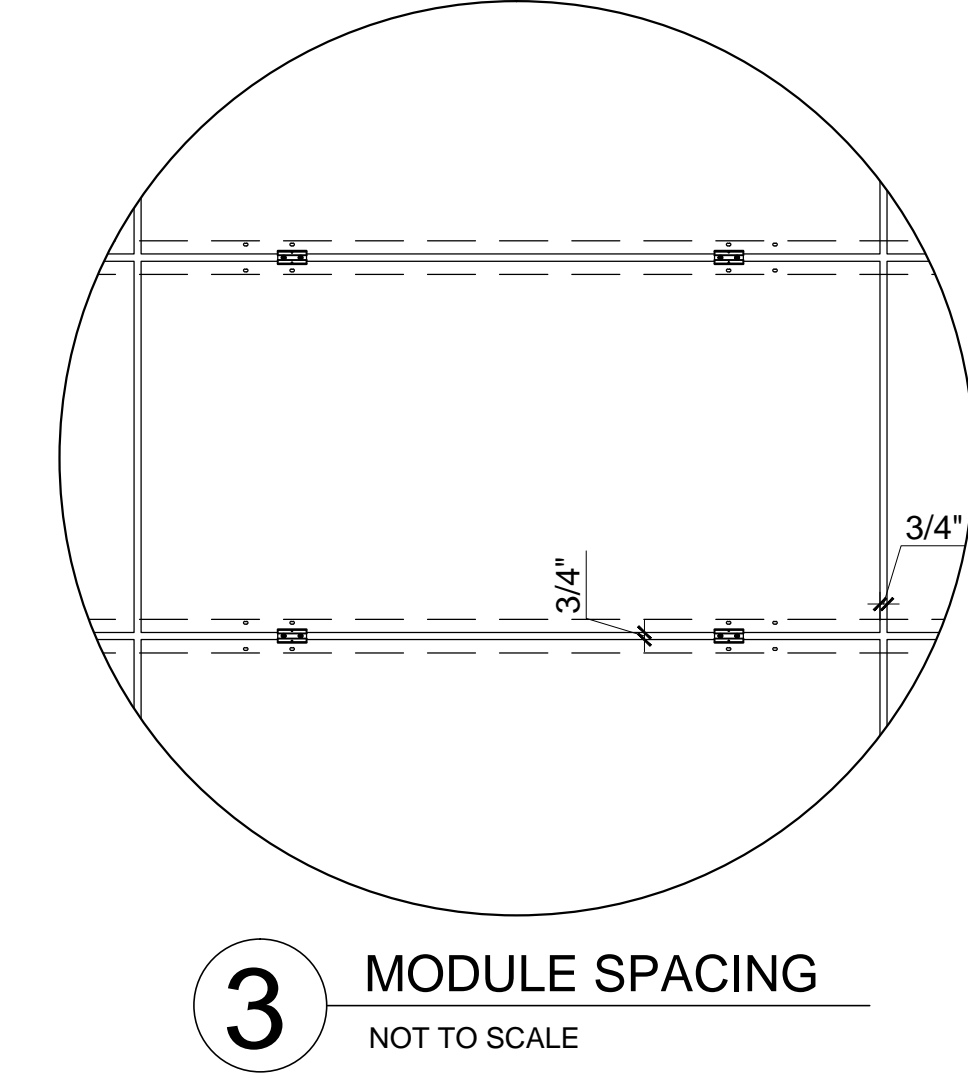
GENERAL DIMENSIONS							
60 CELL MODULE (APX DIM)				72 CELL MODULE (APX DIM)			
ROWS	DIM A	DIM B		ROWS	DIM A	DIM B	
5	16'-9 1/4"	39"		5	16'-9 1/4"	39"	
6	20'-1"	39"		6	20'-1"	39"	
7	23'-4 3/4"	39"		7	23'-4 3/4"	39"	
8	26'-8 1/2"	39"		8	26'-8 1/2"	39"	

1 PARTIAL CANTILEVER-STRAIGHT BEAM (ELEVATION)
NOT TO SCALE

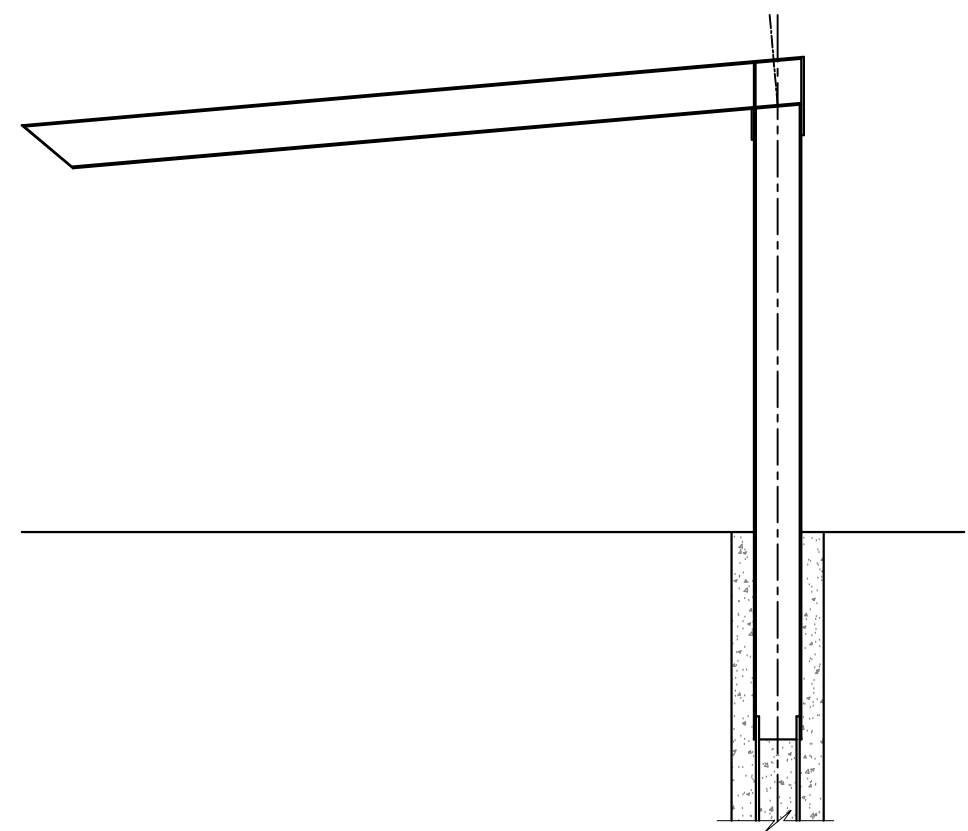
- NOTE:
1. SKYLINE MID-CLAMP (OPTIONAL SKYGRIP)
 2. MODULE PER PLAN
 3. PURLIN PER PLAN
 4. (2x) #12-14 SELF DRILLING SCREW, OPT. 5/16" HEX BOLT



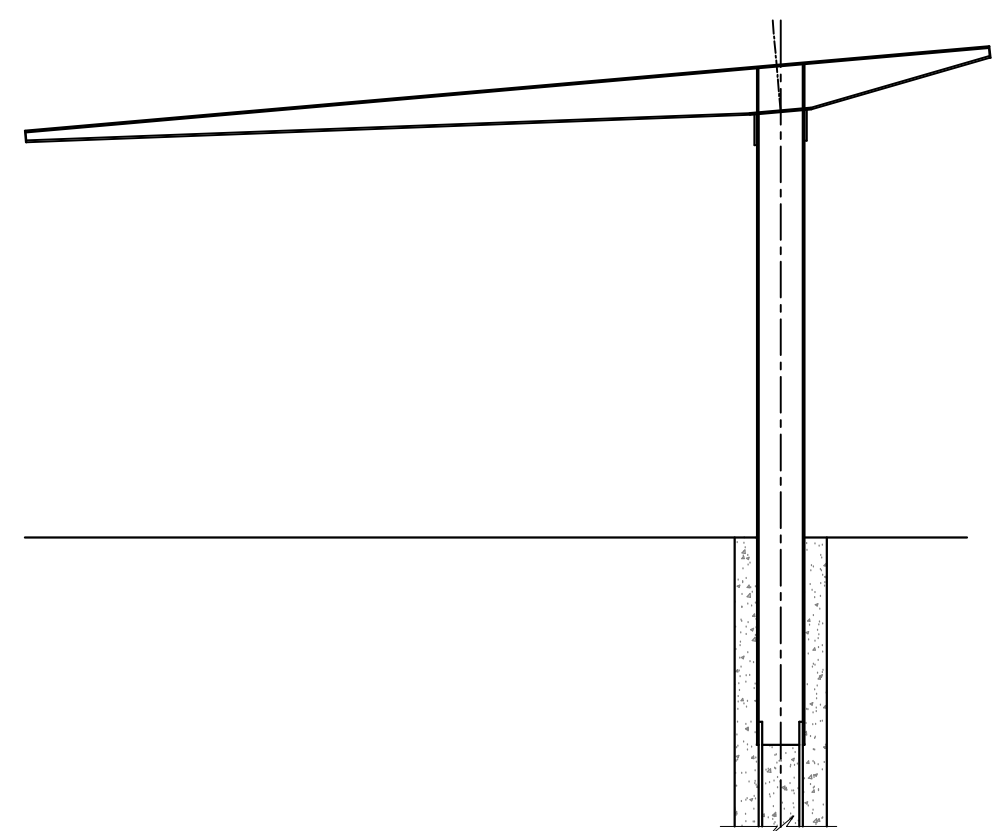
2 CLAMP TO MODULE
NOT TO SCALE



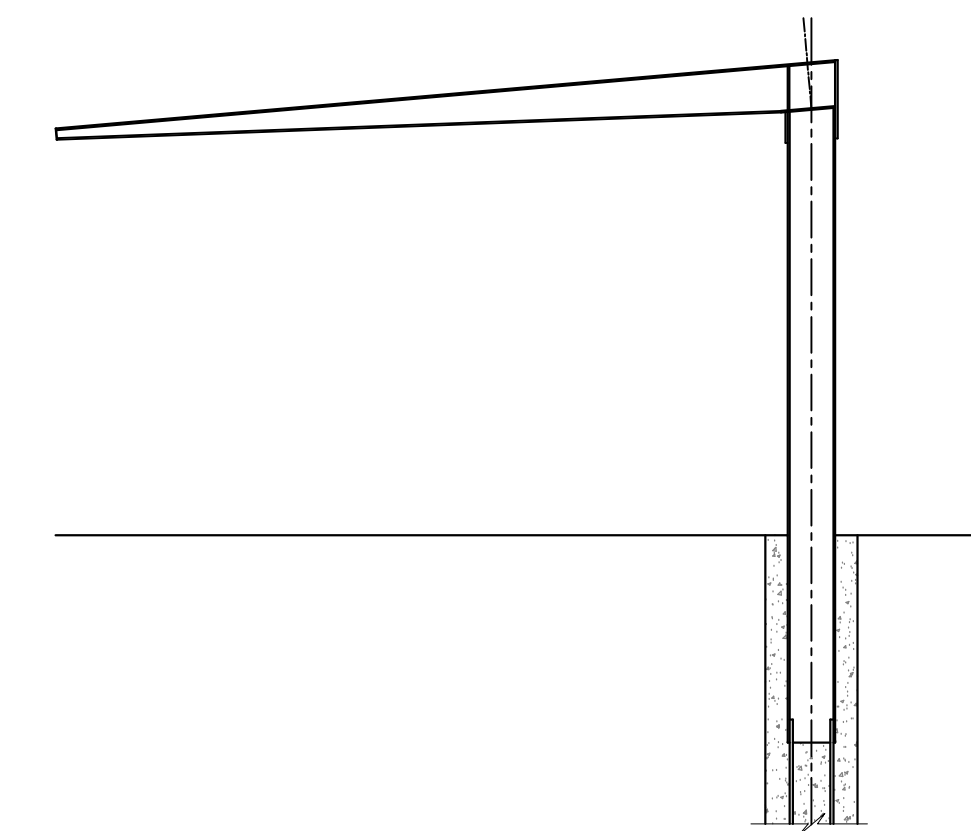
3 MODULE SPACING
NOT TO SCALE



A FULL CANTILEVER-STRAIGHT BEAM (ELEVATION)
NOT TO SCALE



B PARTIAL CANTILEVER-TAPERED BEAM (ELEVATION)
NOT TO SCALE



C FULL CANTILEVER-TAPERED BEAM (ELEVATION)
NOT TO SCALE

GENERAL NOTES
NOTE THAT THESE ARE PURELY CONCEPTUAL DRAWINGS. ALL DIMENSIONS AND VALUES ARE TYPICAL ASSUMPTIONS AND ARE SUBJECT TO CHANGE PER CLIENT AND ENGINEERING.

GENERAL CARPORT NOTES
DESIGNED WITH MODULES INSTALLED IN LANDSCAPE, 3/4" SPACING BETWEEN MODULES BOTH VERTICALLY AND HORIZONTALLY. DESIGN UTILIZES SHARED PURLINS AT MODULE ROW. NUMBER OF MODULE ROWS ARE DEPENDENT ON MODULE SIZE, COST, DESIGN, AND ENGINEERING.
NOTE: OPTIONAL SKYGRIP TOP MOUNTING MID CLAMP IS A ETL LISTED UL 467 GROUNDING CLAMP.

DATE	REV	REVISION/DESCRIPTION
0000/2014	A	CONCEPTUAL REQUEST FOR PROPOSAL Final layout may change based on actual field conditions and final engineering. DO NOT USE FOR CONSTRUCTION.

SINGLE CANTILEVER
SHARED PURLIN - MODULES LANDSCAPE

CUSTOMER: NAME
DRAFTING SERVICE: SKYLINE STEEL INC
DATE: 04-08-2014
DRAWN BY: PR
CHECKED BY: RC

REV. NO: XX-XXX
JOB NO: E-05
DWG. NO:

631 W COMMERCE AVE
GILBERT, AZ 85253
PHONE: 480-926-0122
FAX: 480-926-9178
WWW.SKYLINESOLAR.COM