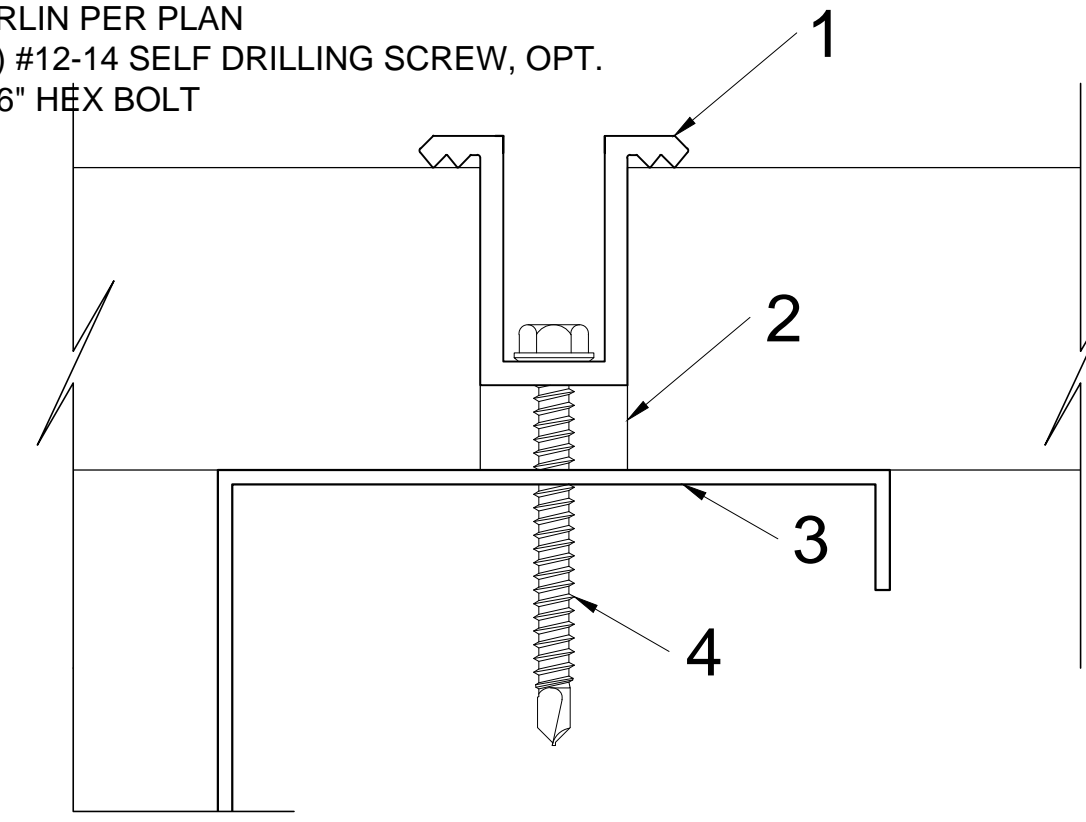


- NOTES:
1. MODULE PER CLIENT
 2. PURLIN PER PLAN
 3. BEAM PER PLAN
 4. COLUMN PER PLAN
 5. FINISH GRADE
 6. FOOTING PER PLAN
 7. REBAR PER PLAN

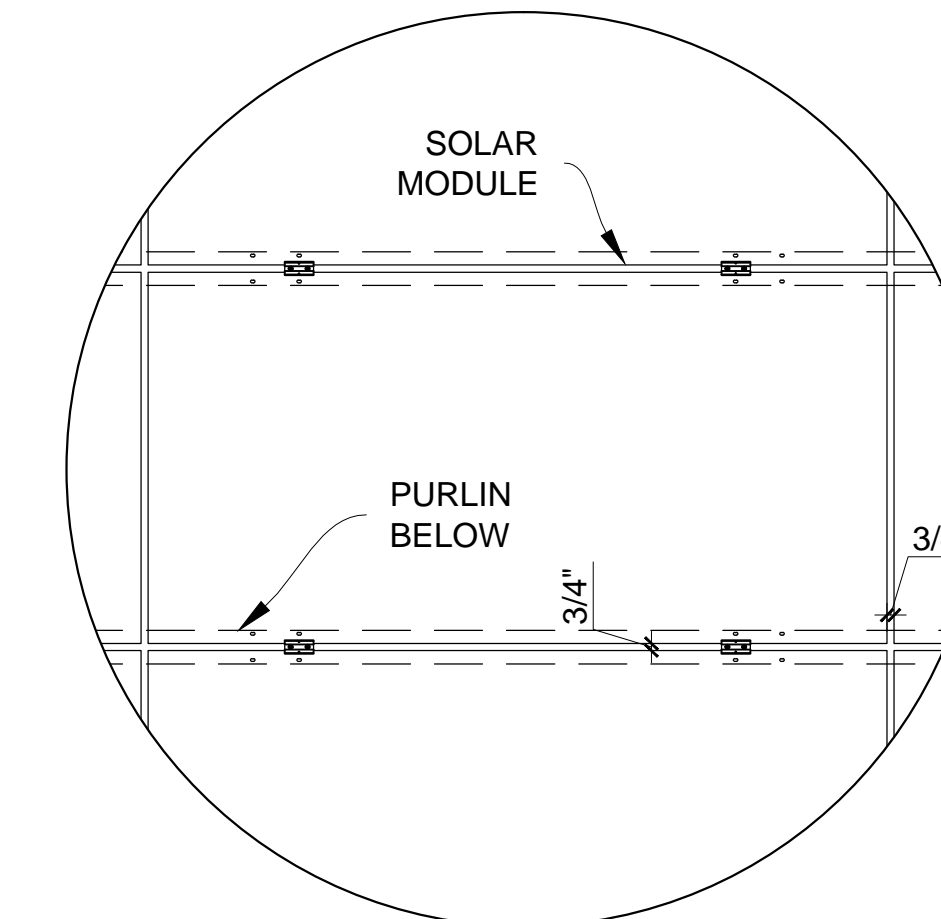
GENERAL DIMENSIONS						
60 CELL MODULE (APX DIM)			72 CELL MODULE (APX DIM)			
ROWS	DIM A	DIM B	ROWS	DIM A	DIM B	
9	30'-0"	39" TYP	9	30'-0"	39" TYP	
10	33'-3 ³ / ₄ "	39" TYP	10	33'-3 ³ / ₄ "	39" TYP	
11	36'-7 ¹ / ₂ "	39" TYP	11	36'-7 ¹ / ₂ "	39" TYP	
12	39'-8 ¹ / ₄ "	39" TYP	12	39'-8 ¹ / ₄ "	39" TYP	
13	43'-3"	39" TYP	13	43'-3"	39" TYP	
14	46'-6 ³ / ₄ "	39" TYP	14	46'-6 ³ / ₄ "	39" TYP	

1 DOUBLE CANTILEVER-STRAIGHT BEAM (ELEVATION)
NOT TO SCALE

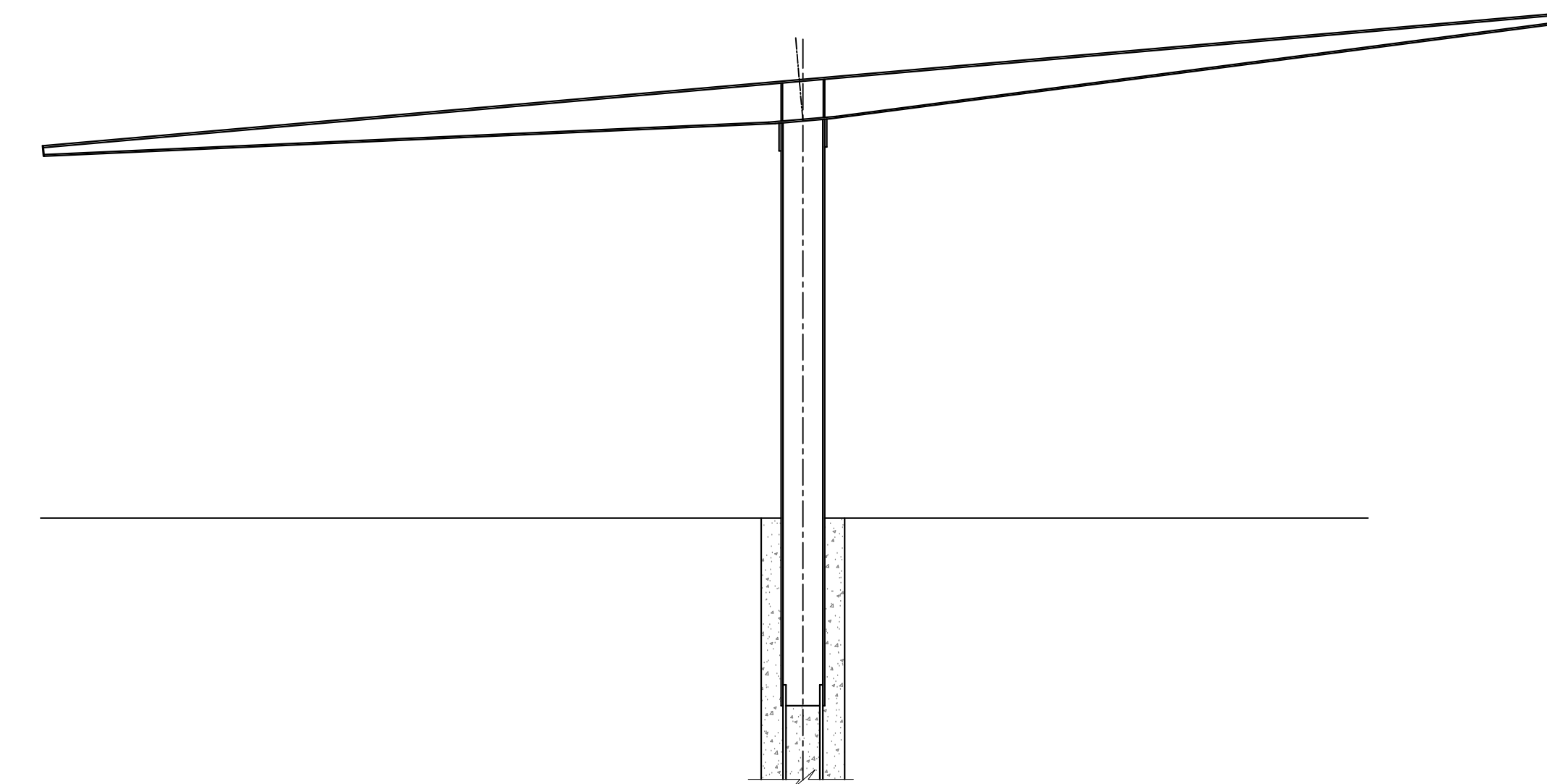
- NOTE:
1. SKYLINE MID-CLAMP (OPTIONAL SKYGRIP)
 2. MODULE PER PLAN
 3. PURLIN PER PLAN
 4. (2x) #12-14 SELF DRILLING SCREW, OPT. 5/16" HEX BOLT



2 CLAMP TO MODULE
NOT TO SCALE



3 MODULE SPACING
NOT TO SCALE



A DOUBLE CANTILEVER-TAPERED BEAM (ELEVATION)
NOT TO SCALE

GENERAL NOTES
NOTE THAT THESE ARE PURELY CONCEPTUAL DRAWINGS. ALL DIMENSIONS AND VALUES ARE TYPICAL ASSUMPTIONS AND ARE SUBJECT TO CHANGE PER CLIENT AND ENGINEERING.

GENERAL CARPORT NOTES
DESIGNED WITH MODULES INSTALLED IN LANDSCAPE, 3/4" SPACING BETWEEN MODULES BOTH VERTICALLY AND HORIZONTALLY. DESIGN UTILIZES SHARED PURLINS AT MODULE ROW. NUMBER OF MODULE ROWS ARE DEPENDENT ON MODULE SIZE, COST, DESIGN, AND ENGINEERING.
NOTE: OPTIONAL SKYGRIP TOP MOUNTING MID CLAMP IS AN ETL LISTED UL 467 GROUNDING CLAMP.

DATE	REV	REVISION/DESCRIPTION
0000/2014	A	CONCEPTUAL

REQUEST FOR PROPOSALS
Final layout may change based on actual field conditions and final engineering. DO NOT USE FOR CONSTRUCTION.

DOUBLE CANTILEVER			
SHARED PURLIN - MODULES LANDSCAPE			
CUSTOMER: NAME	DRAFTING SERVICE: SKYLINE STEEL INC	DATE: 04-08-2014	CHECKED BY: RC
REV. NO	DATE: 04-08-2014	DRAWN BY: PR	
JOB NO	XX-XXX		
DWG. NO	E-06		