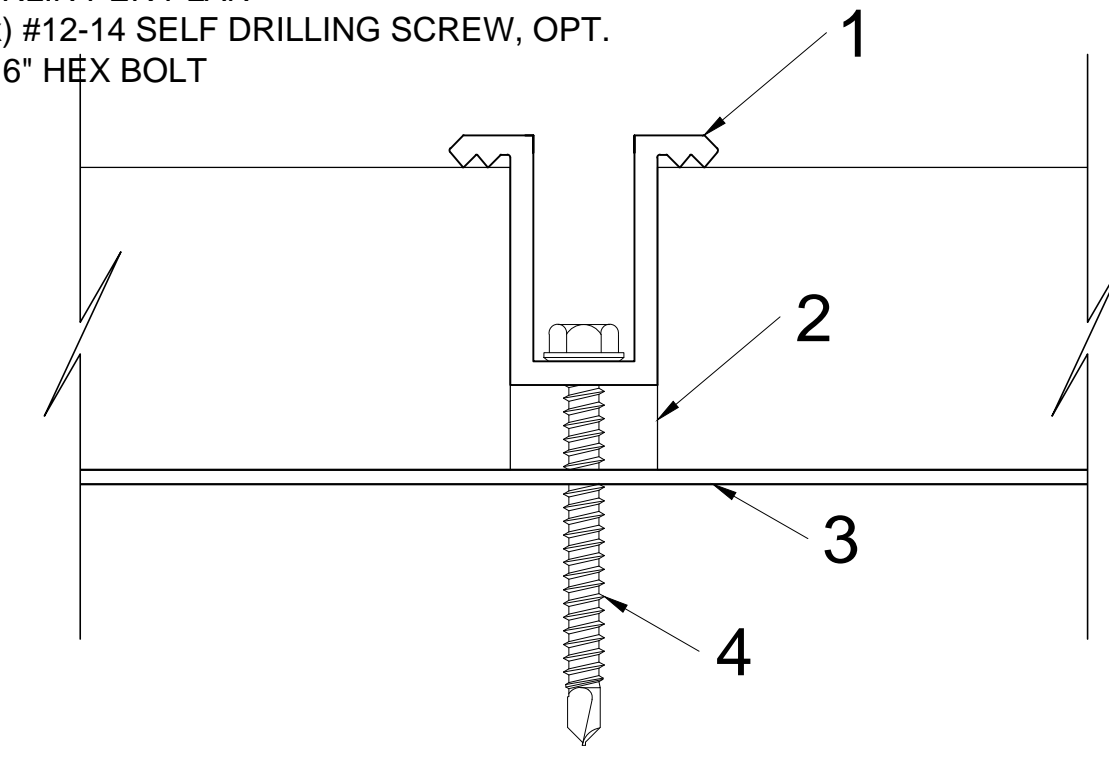
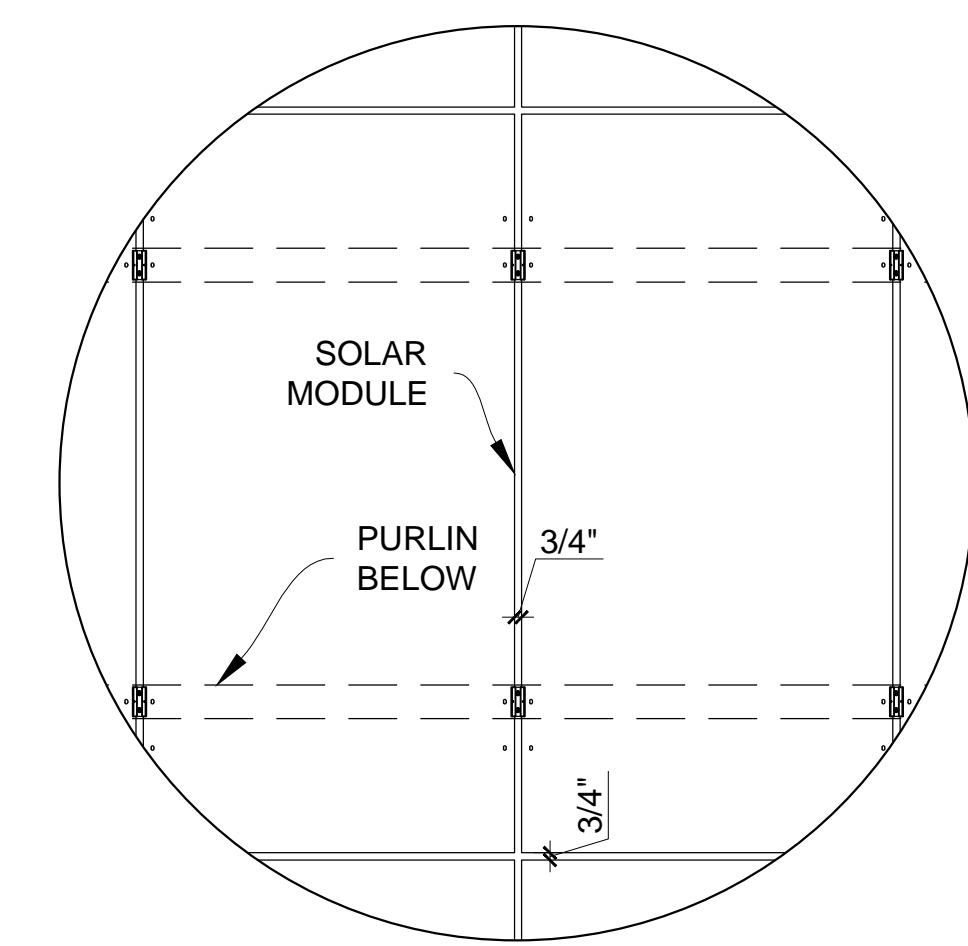


1 TYPICAL SINGLE COLUMN RACKING SOLUTION (RENDERING)
NOT TO SCALE

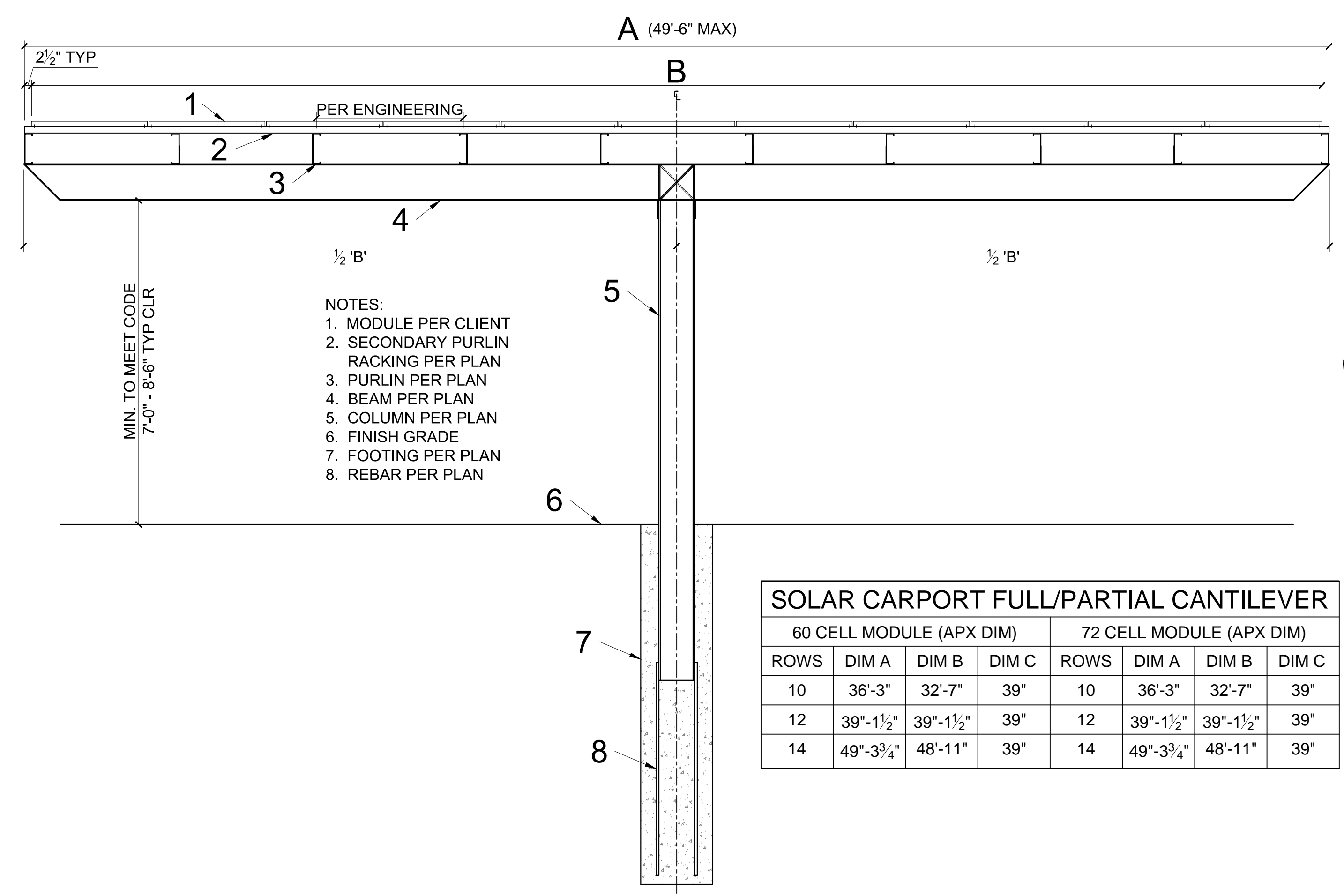
- NOTE:
 1. SKYLINE MID-CLAMP (OPTIONAL SKYGRIP)
 2. MODULE PER PLAN
 3. PURLIN PER PLAN
 4. (2x) #12-14 SELF DRILLING SCREW, OPT. 5/16" HEX BOLT



2 CLAMP TO MODULE
NOT TO SCALE

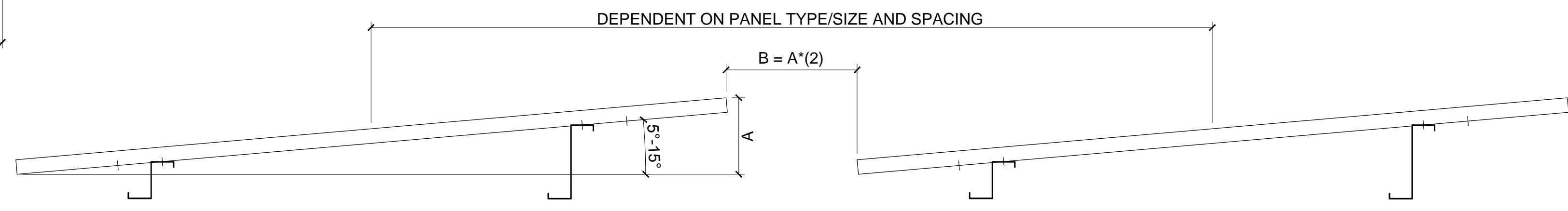


3 MODULE SPACING
NOT TO SCALE



4 DOUBLE CANTILEVER-STRAIGHT BEAM (ELEVATION)
NOT TO SCALE

SOLAR CARPORT FULL/PARTIAL CANTILEVER							
60 CELL MODULE (APX DIM)				72 CELL MODULE (APX DIM)			
ROWS	DIM A	DIM B	DIM C	ROWS	DIM A	DIM B	DIM C
10	36'-3"	32'-7"	39"	10	36'-3"	32'-7"	39"
12	39"-1 1/2"	39"-1 1/2"	39"	12	39"-1 1/2"	39"-1 1/2"	39"
14	49"-3 3/4"	48'-11"	39"	14	49"-3 3/4"	48'-11"	39"



5 MODULE RACKING LAYOUT (ELEVATION)
NOT TO SCALE

GENERAL NOTES
 NOTE THAT THESE ARE PURELY CONCEPTUAL DRAWINGS. ALL DIMENSIONS AND VALUES ARE TYPICAL ASSUMPTIONS AND ARE SUBJECT TO CHANGE PER CLIENT AND ENGINEERING.

GENERAL CARPORT NOTES
 DESIGNED WITH MODULES INSTALLED IN PORTRAIT. 3/4" SPACING BETWEEN MODULES BOTH VERTICALLY AND HORIZONTALLY. DESIGN UTILIZES SECONDARY PURLIN RACKING SOLUTION AT MODULES. NUMBER OF MODULE ROWS ARE DEPENDENT ON MODULE SIZE, COST, DESIGN AND ENGINEERING.
 NOTE: OPTIONAL SKYGRIP TOP MOUNTING MID CLAMP IS AN ETL LISTED UL 467 GROUNDING CLAMP.

REVISION/DESCRIPTION	REV	DATE
CONCEPTUAL	A	0000/2014

REQUEST FOR PROPOSAL
 Final layout may change based on actual field conditions and final engineering. DO NOT USE FOR CONSTRUCTION.

DOUBLE CANTILEVER
 RACKED SOLUTION - MODULES PORTRAIT

CUSTOMER: NAME
 DRAFTING SERVICE: SKYLINE STEEL INC
 DATE: 04-08-2014
 DRAWN BY: PR
 CHECKED BY: RC

REV. NO: A
 JOB NO: XX-XXX
 DWG. NO: E-07

631 W COMMERCE AVE
 GILBERT, AZ 85253
 PHONE: 480-926-0122
 FAX: 480-926-9178
 WWW.SKYLINESOLAR.COM