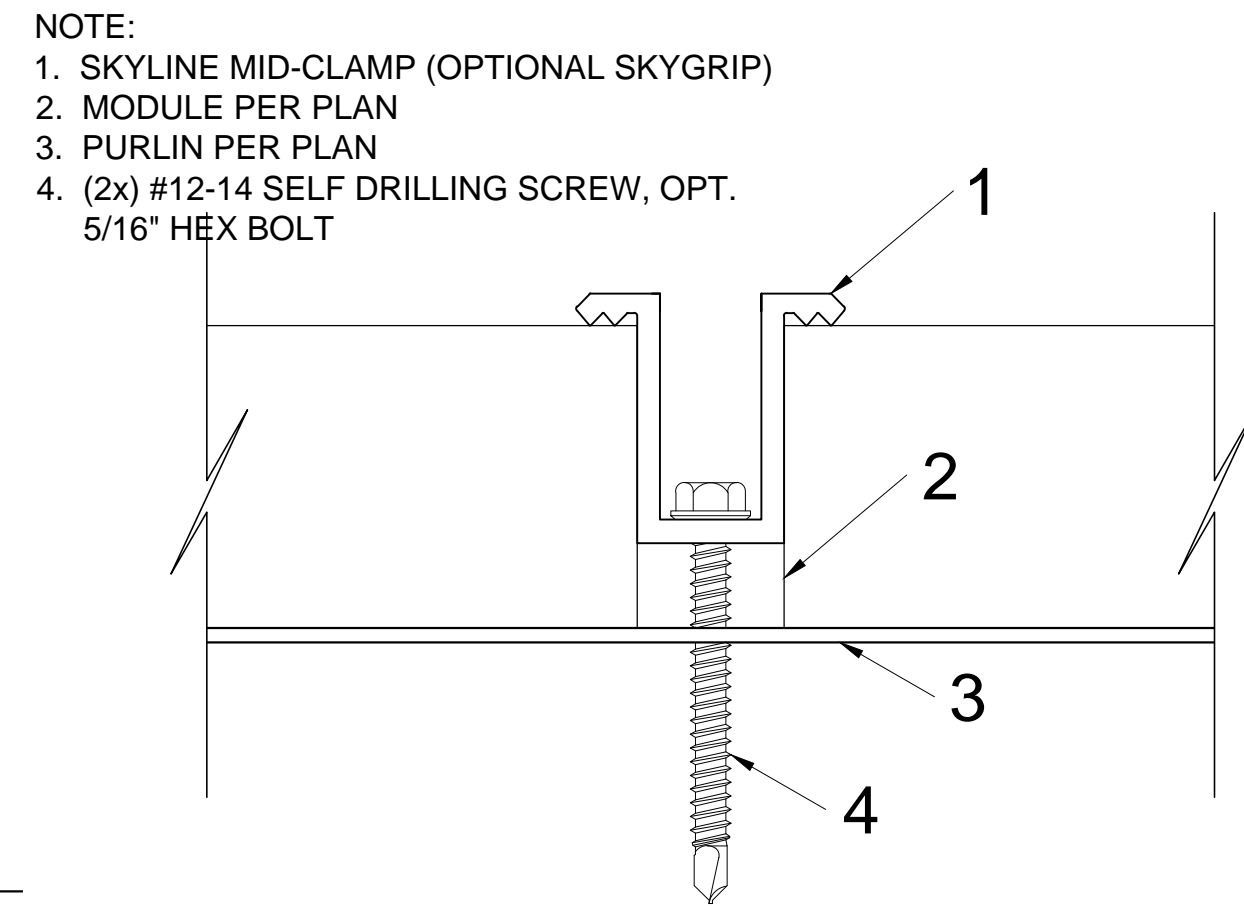


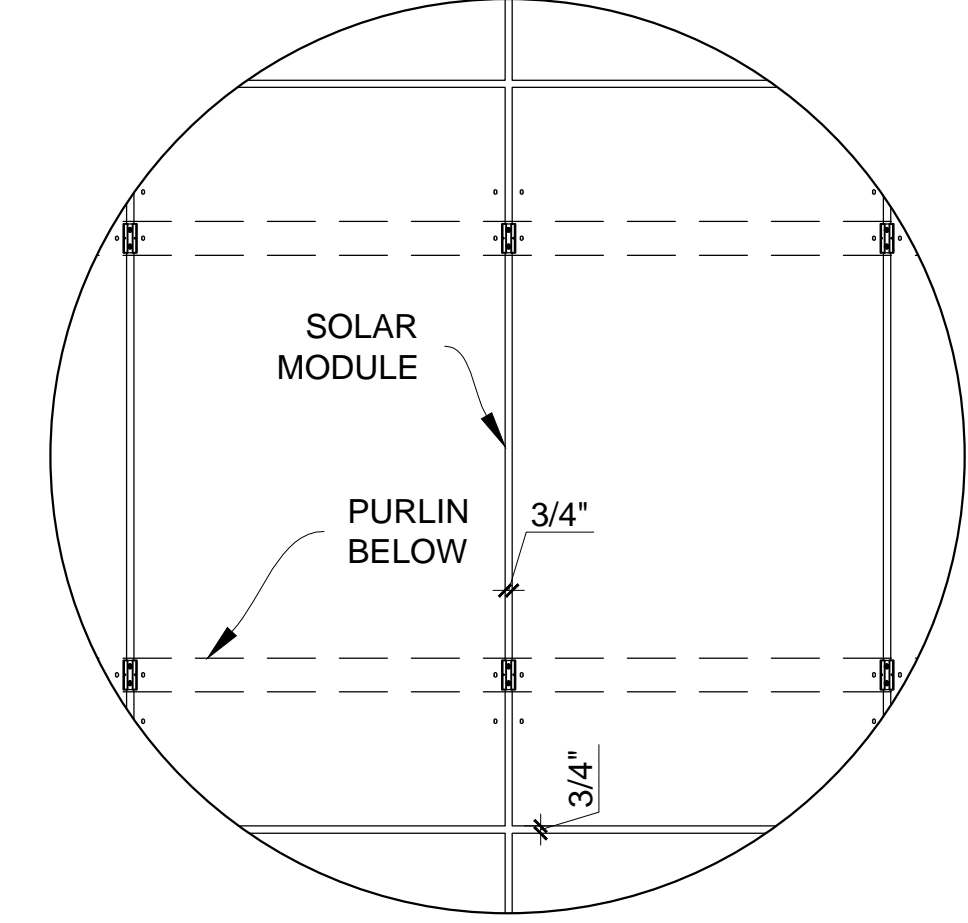
1 DOUBLE POST CANOPY-STRAIGHT BEAM (ELEVATION)
NOT TO SCALE

- NOTES:
 1. MODULE PER CLIENT
 2. PURLIN PER PLAN
 3. BEAM PER PLAN
 4. COLUMN PER PLAN
 5. FINISH GRADE
 6. FOOTING PER PLAN

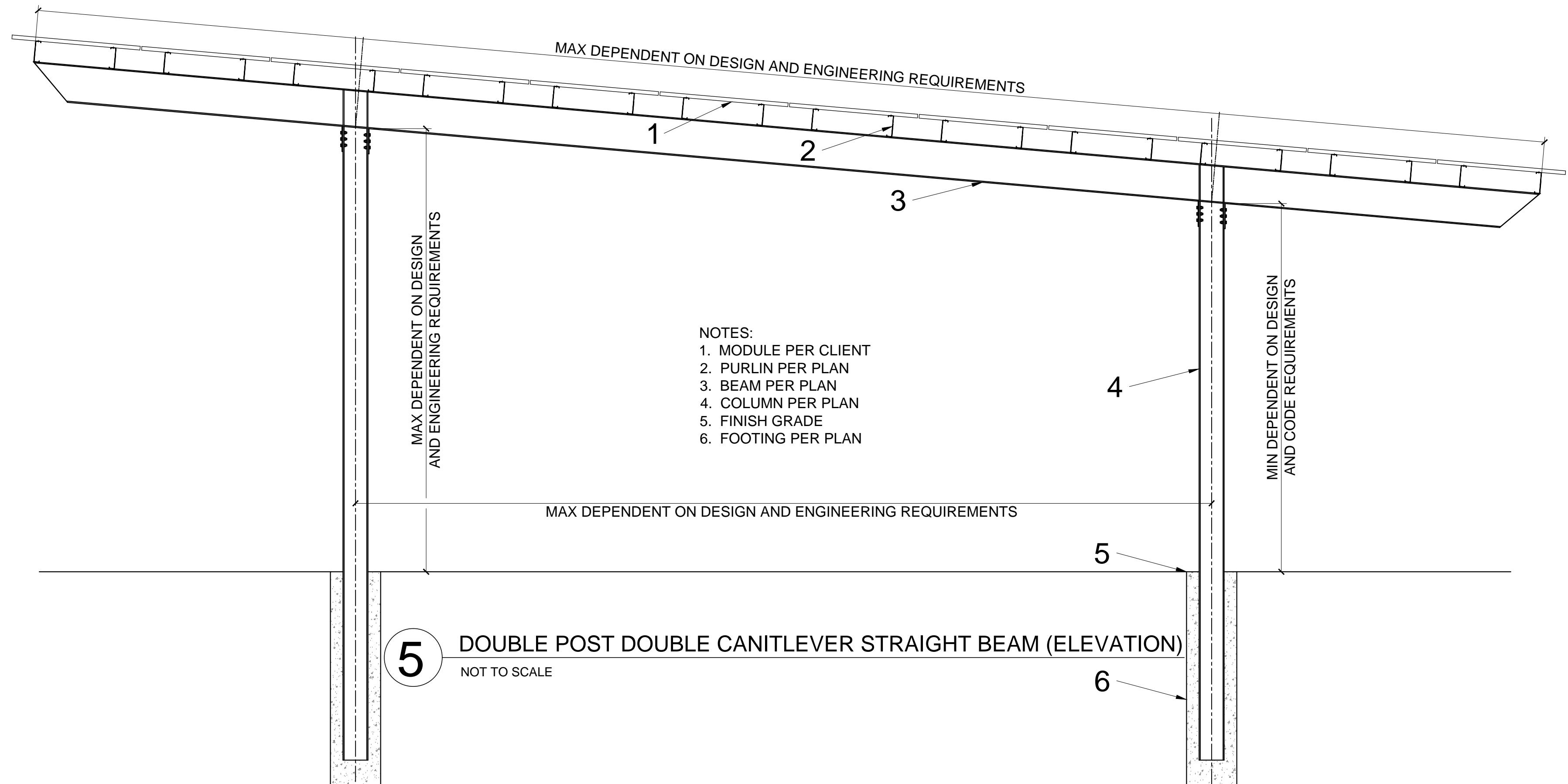


2 CLAMP TO MODULE
NOT TO SCALE

- NOTE:
 1. SKYLINE MID-CLAMP (OPTIONAL SKYGRIP)
 2. MODULE PER PLAN
 3. PURLIN PER PLAN
 4. (2x) #12-14 SELF DRILLING SCREW, OPT.
 5/16" HEX BOLT



3 MODULE SPACING
NOT TO SCALE



5 DOUBLE POST DOUBLE CANTILEVER STRAIGHT BEAM (ELEVATION)
NOT TO SCALE

- NOTES:
 1. MODULE PER CLIENT
 2. PURLIN PER PLAN
 3. BEAM PER PLAN
 4. COLUMN PER PLAN
 5. FINISH GRADE
 6. FOOTING PER PLAN

GENERAL NOTES
 NOTE THAT THESE ARE PURELY CONCEPTUAL DRAWINGS. ALL DIMENSIONS AND VALUES ARE TYPICAL ASSUMPTIONS AND ARE SUBJECT TO CHANGE PER CLIENT AND ENGINEERING.

GENERAL CARPORT NOTES
 DESIGNED WITH MODULES INSTALLED IN PORTRAIT. 3/4" SPACING BETWEEN MODULES BOTH VERTICALLY AND HORIZONTALLY. DESIGN UTILIZES DUAL PURLINS PER MODULE ROW. NUMBER OF MODULE ROWS ARE DEPENDENT ON MODULE SIZE, COST, DESIGN, AND ENGINEERING.
 NOTE: OPTIONAL SKYGRIP TOP MOUNTING MID CLAMP IS AN ETL LISTED UL 467 GROUNDING CLAMP.

DATE	REV	REVISION/DESCRIPTION
0000/2014	A	CONCEPTUAL REQUEST FOR PROPOSAL. Final layout may change based on actual field conditions and final engineering. DO NOT USE FOR CONSTRUCTION.

DOUBLE POST CANOPY
 DUAL PURLIN - MODULES PORTRAIT

CUSTOMER: NAME
 DRAFTING SERVICE: SKYLINE STEEL INC
 DATE: 04-08-2014 | DRAWN BY: PR | CHECKED BY: RC

REV. NO: A
 JOB NO: XX-XXX
 DWG. NO: E-09

631 W COMMERCE AVE
 GILBERT, AZ 85253
 PHONE: 480-926-0122
 FAX: 480-926-9178
 WWW.SKYLINESOLAR.COM