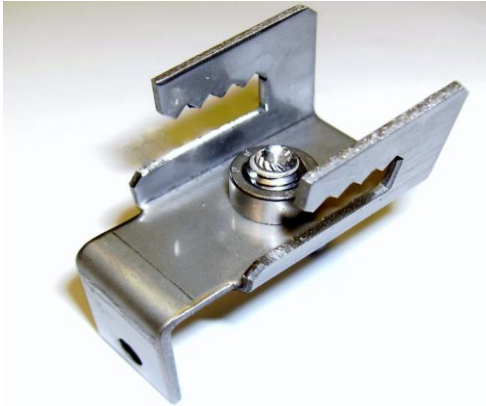


## SkyBite™ Solar Mounting and Grounding Clamp



- ❖ Integrated PV Module Mounting & Grounding Clamp
- ❖ Removes Cost of Top Clamps & Grounding Devices
- ❖ Improves Time on Installation - Nearly 50% Less Labor
- ❖ Replaces Copper Lugs & Copper Wire Management
- ❖ OSHA Safe Installation - Installs From Below PV Module
- ❖ Ergonomic Installation - Limits Strains and Sprains
- ❖ Reusable if PV Module is Replaced
- ❖ ETL Listed – UL467 US & Canada



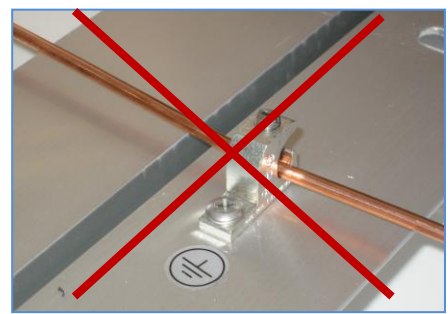
The SkyBite Ground Clamp (SBGC) is a PV module mounting and grounding attachment, developed for solar carports coupled with Skyline Solar's new 'SkyPurlin'. SkyBite attaches four places onto the PV module's lower frame ledge and adjoining purlin. Grounding of the PV module is accomplished by a set screw, which forces against the metal purlin, causing SkyBite's 'teeth' to perforate the PV module's anodized frame. For added strength & resistance to vibration by high winds, a self drilling screw is secured into the purlin wall. SkyBite will fit onto a combined thickness of 1/4" inch for PV module frame and purlin. SkyBite clamp can be installed by general laborers, eliminating traditional journeyman electricians to perform grounding. Fast and simple connection, no pre-drilled holes or critical alignment needed.



No 'Top-Clamps', reduces risk of damage from crawling or walking on PV module, **which may void PV module warranty!**



PV modules placed from below purlins, installers follow OSHA regulations when **working only from elevated platforms!**



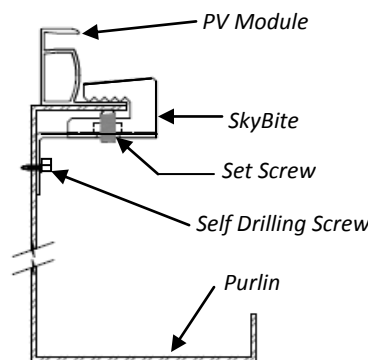
SkyBite eliminates expensive copper wire, ground lugs, fasteners and time to install. **Removes copper theft potential!**

### Specifications:

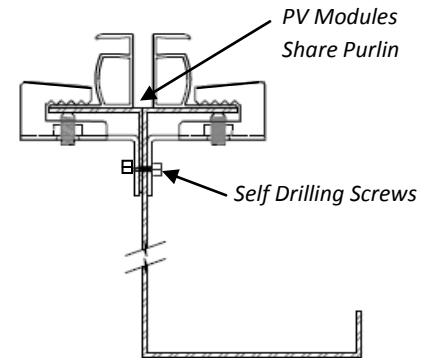
- SkyBite Clamp: #14 Gauge Stainless Steel
- Set Screw: 5/16"-18 x 1/2" SS Knurled Cup (Set Screw Supplied Assembled)
- Set Screw Torque: 48in-lbs
- Ground Conductor Rating: #10 AWG
- Purlin Top Flange Width: 1-1/2"
- Module Frame Width: 1.15" - 1.38" inches
- Weight/Each: 0.10 lb
- Warranty: 10 Years Workmanship

### Ordering Information:

- Model SBGC-2



Single Purlin on North & South of Structure



Shared Purlin in Center Rows of Structure