

SkyGrade™ Ground Mount for Commercial or Utility Scale

Fast Deployment - Minimal Parts

- Driven Pile or Cast in Drilled Hole
- Single row of Columns 10ft. Equal Spacing
- No holes to Drill into Structural's

Two Design Load Choices

- Optimized for Site Conditions Lowers Cost
- Two Structures for Low or High Wind & Snow
- 105mph / 20lb/ft² or 120mph / 30lb/ft²

Fits All 39" Wide PV Modules

- Structure for Twelve PV Modules
- Two Rows in Portrait x Six Modules Wide

Choice of Fixed Tilt Angles

- From 15 to 30 Degrees, 5 Degree Increments

Adapts To Uneven Terrain

- Structures Stand Alone – No Rail Splicing

PV Module Installation – Clamp Choices

- Frame Heights 31-50mm
- Aluminum Top Clamps W/Self Drilling Screws
- SkyGrip UL467 Top Grounding Middle Clamp

Horizontal Rails – 'Z' Purlin

- A653 G90 Galvanized Light Gauge Steel
- Secures with Self Drilling Screws
- Z Shape Provides Wire Management Tray

Tilted Beam – 'C' Purlin

- Heavy Gauge A653 G90 Galvanized
- Bolts Directly to Column

Vertical Column

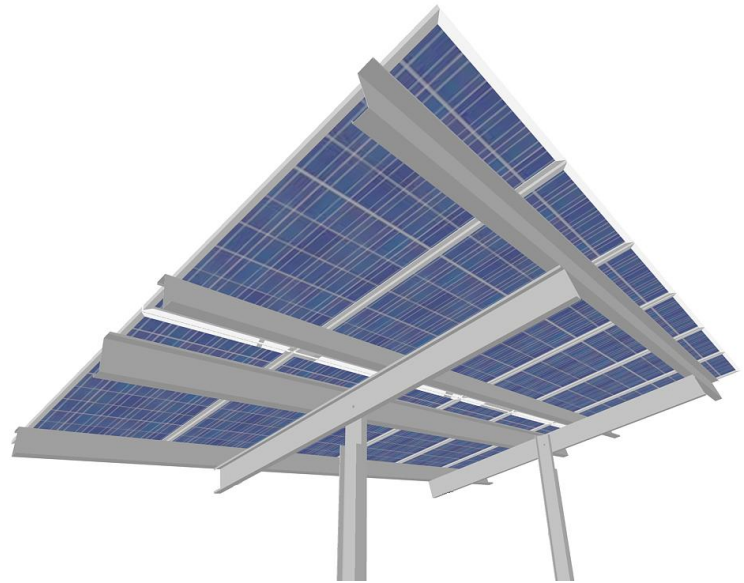
- Wide Flange Beam A992 Gr.50
- Hot Dip Galvanized A123

Designed To Last

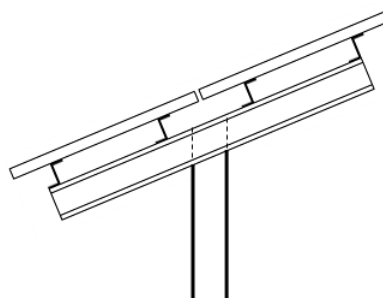
- All Galvanized Steel Members
- P.E. Certified for Wind and Snow

15 Year Warranty

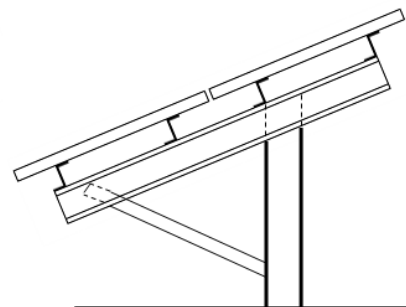
- All Structural Members



SkyGrip™ Module Top Grounding Middle Clamp



105mph-20lb/ft² Design



120mph-30lb/ft² Design