

**A-A**  
(ROTATED 90° CW)

**NOTE:**

1. FABRICATE FROM ALUM. EXTRU. 6063-T5 ALUM ALLOY
2. REMOVE BURRS FROM HOLES
3. FINISH: MILL (STD)

**DIM TOLERANCE**

- .X = +/- 0.06
- .XX = +/- 0.03
- .XXX = +/- 0.015

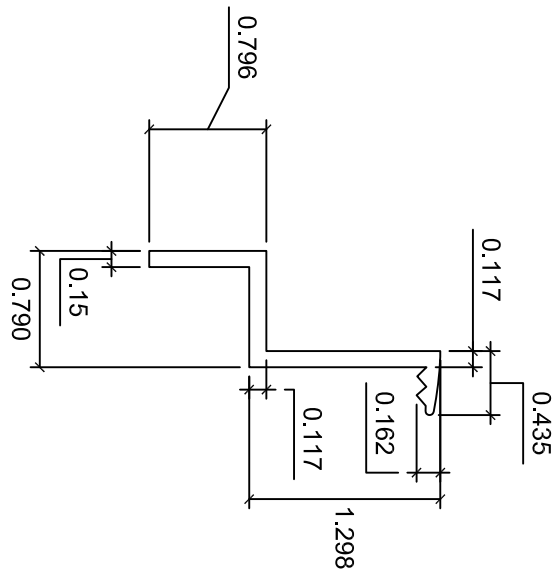
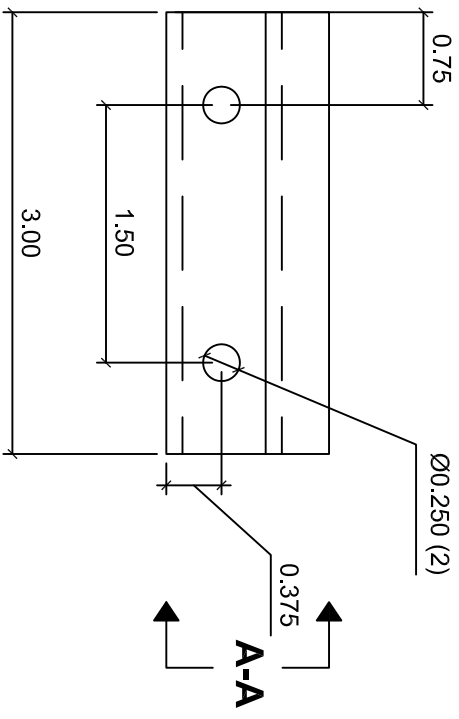
**Rev: D**  
05-27-14  
REL. BY: RC

**End Clamp 40mm - TWO HOLES**

**DIE FILE #**  
24063-PNVD-R3

**Skyline Steel Inc,**  
631 W. COMMERCE AVE.  
GILBERT, ARIZONA 85233  
PHONE: (480) 926-0122 FAX: (480) 926-9178

**Model**  
EC-1



**A-A**  
(ROTATED 90° CW)

**NOTE:**

1. FABRICATE FROM ALUM. EXTRU. 6063-T5 ALUM ALLOY
2. REMOVE BURRS FROM HOLES
3. FINISH: MILL (STD)

**DIM TOLERANCE**

- .X = +/- 0.06
- .XX = +/- 0.03
- .XXX = +/- 0.015

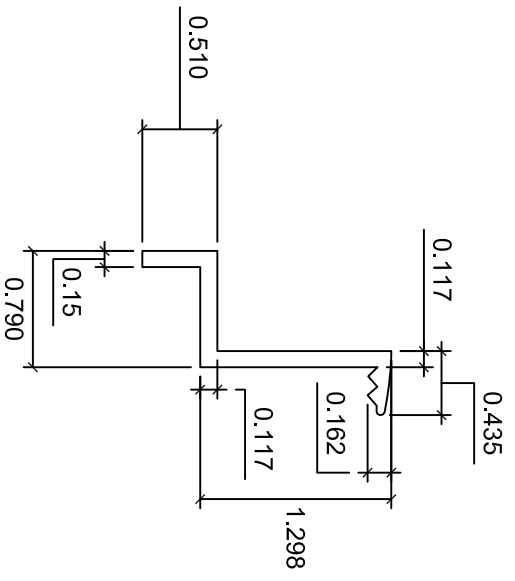
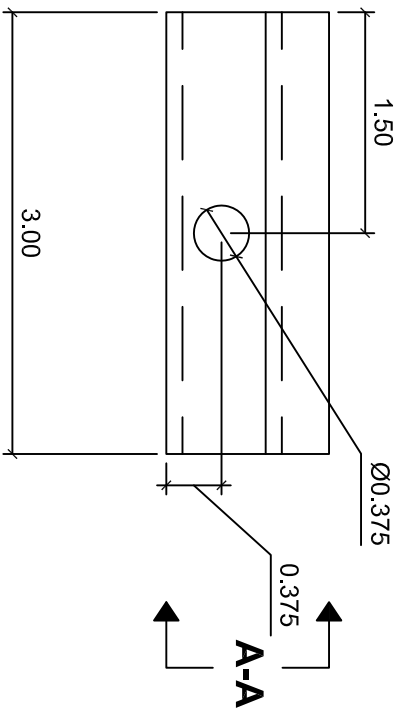
**Rev: C**  
05-27-14  
REL. BY: RC

**End Clamp 46mm - TWO HOLES**

**DIE FILE #**  
**24063-PNVD-R4**

**Skyline Steel Inc,**  
631 W. COMMERCE AVE.  
GILBERT, ARIZONA 85233  
PHONE: (480) 926-0122 FAX: (480) 926-9178

**Model**  
**EC-2**



**A-A**  
(ROTATED 90° CW)

**NOTE:**

1. FABRICATE FROM ALUM. EXTRU. 6063-T5 ALUM ALLOY
2. REMOVE BURRS FROM HOLES
3. FINISH: MILL (STD)

**DIM TOLERANCE**

- .X = +/- 0.06
- .XX = +/- 0.03
- .XXX = +/- 0.015

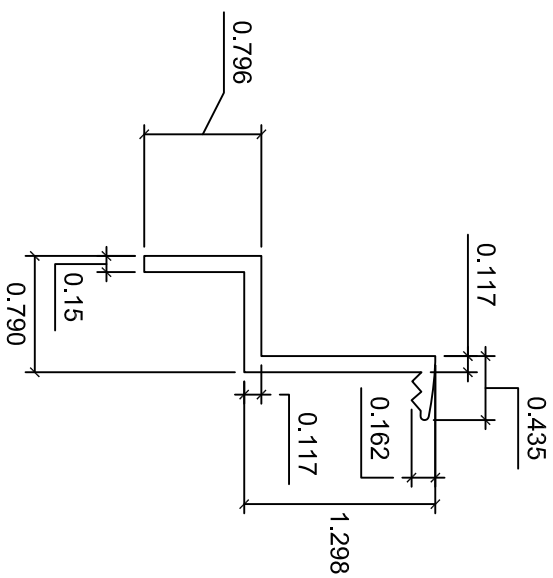
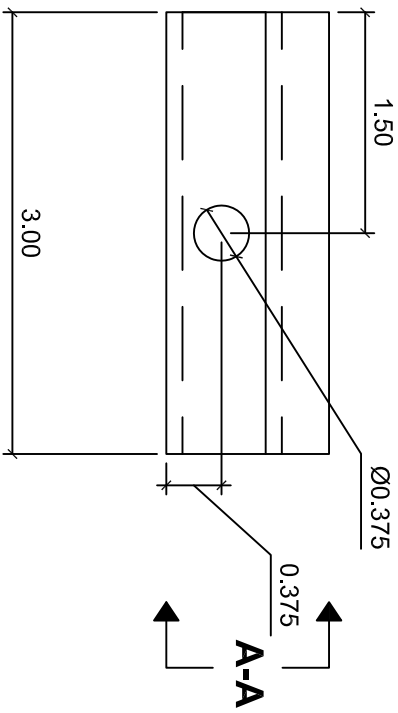
**Rev: C**  
05-27-14  
REL. BY: RC

**End Clamp 40mm - ONE HOLE**

**DIE FILE #**  
**24063-PNVD-R3**

**Skyline Steel Inc,**  
631 W. COMMERCE AVE.  
GILBERT, ARIZONA 85233  
PHONE: (480) 926-0122 FAX: (480) 926-9178

**Model**  
**EC-3**



**A-A**

(ROTATED 90° CW)

**NOTE:**

1. FABRICATE FROM ALUM. EXTRU. 6063-T5 ALUM ALLOY
2. REMOVE BURRS FROM HOLES
3. FINISH: MILL (STD)

**DIM TOLERANCE**

- .X = +/- 0.06
- .XX = +/- 0.03
- .XXX = +/- 0.015

05-27-14  
REL. BY: RC

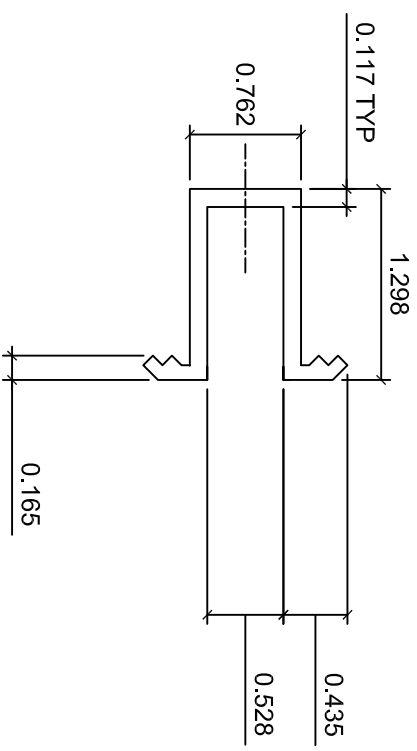
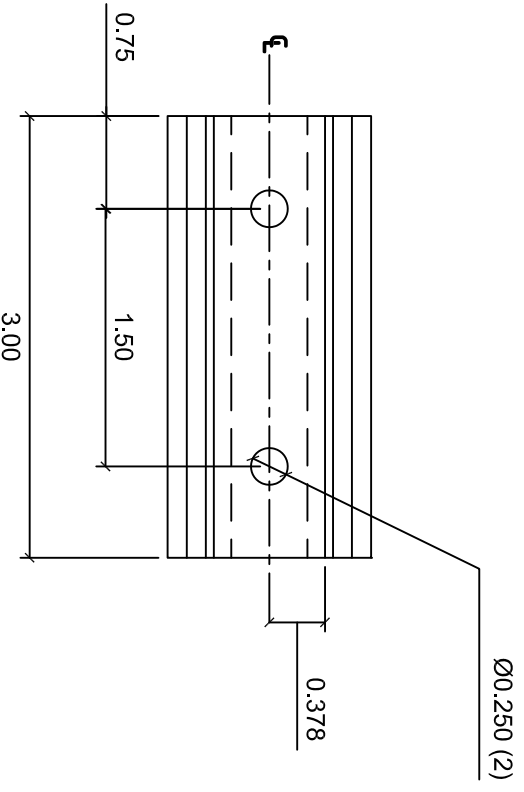
**End Clamp 46mm - ONE HOLE**

**DIE FILE #**  
**24063-PNVD-R4**

**Skyline Steel Inc,**

631 W. COMMERCE AVE.  
GILBERT, ARIZONA 85233  
PHONE: (480) 926-0122 FAX: (480) 926-9178

**Model**  
**EC-4**



**NOTE:**

1. FABRICATE FROM ALUM. EXTRU. 6063-T5 ALUM ALLOY
2. REMOVE BURRS FROM HOLES
3. FINISH: MILL (STD)
4. WEIGHT: 0.133 LBS.

**DIM TOLERANCE**

- .X = +/- 0.06
- .XX = +/- 0.03
- .XXX = +/- 0.015

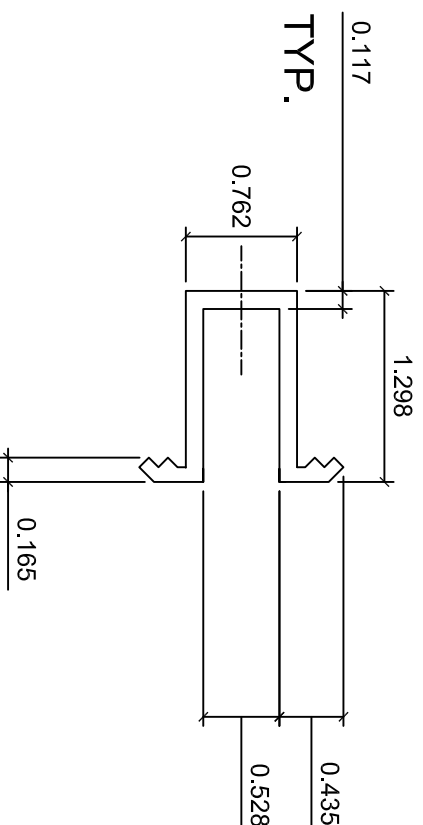
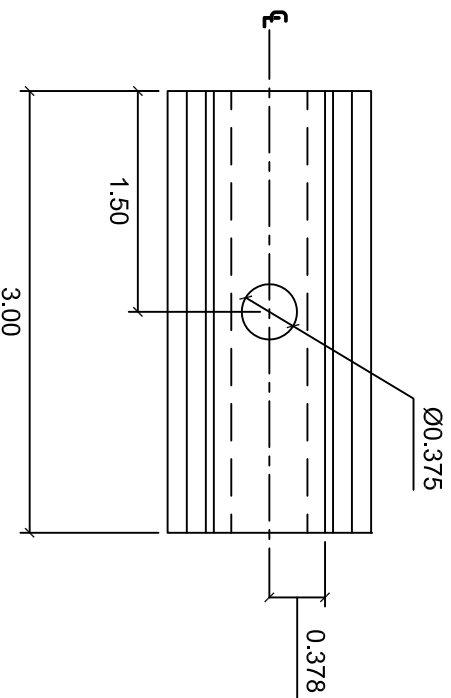
**Rev: C**  
05-27-14  
REL. BY: RC

**Mid Clamp 31 to 51mm - 2 HOLES**

**DIE FILE #**  
**5714B**

**Skyline Steel Inc,**  
631 W. COMMERCE AVE.  
GILBERT, ARIZONA 85233  
PHONE: (480) 926-0122 FAX: (480) 926-9178

**Model**  
**MC-2**



**NOTE:**

1. FABRICATE FROM ALUM. EXTRU. 6063-T5 ALUM ALLOY
2. REMOVE BURRS FROM HOLES
3. FINISH: MILL (STD)
4. WEIGHT: 0.133 LBS.

**DIM TOLERANCE**

- .X = +/- 0.06
- .XX = +/- 0.03
- .XXX = +/- 0.015

**Rev: B** 05-27-14  
REL. BY: RC

**Mid Clamp 31mm to 51mm - ONE HOLE**

**DIE FILE #**  
**5714B**

**Skyline Steel Inc,**

631 W. COMMERCE AVE.  
GILBERT, ARIZONA 85233  
PHONE: (480) 926-0122 FAX: (480) 926-9178

**Model**  
**MC-3**